



---

# Service Manual

Washing machine

Frontloader

AWG 726

---

<b>Model Version</b>		<b>Page</b>
AWG 726 8537 726 53000		
	Technical data	2
	Technical data	3
	Spare part list	4
	Exploded view	5
	Exploded view	6
	Wiring diagram	7
	Circuit diagram	8
	Program diagram	9

**Technical data**

**Dimension**

Height	85,0	cm
Width	59,6	cm
Depth	52,0	cm

**Weight**

Net weight	~ 82	kg
With package	~ 79	kg

**General specifications**

Voltage	220-240± 10%	V
Frequency	50	Hz
Connected load	2,2	kW
Fuse	10	A

**Drum data**

Volume	48	l
--------	----	---

**Drum speed**

Washing	50	rpm
Pre-spinning	120	rpm
Spinning low	400	rpm
Spinning high	800	rpm

**Volume**

Capacity	max.4,5	kg
	dry laundry	

**Electrical building parts**

**Heating**

Type	Tubular radiator	
Rated power draft	~ 1,9	kW
Mains Voltage	240	V

**Drain pump**

Power consumption	~ 34	W
Capacity	20-25	l/min
Rotation speed	~ 2800	rpm
Height of drain hose	max.0,9	m
	min. 0,6	m

**Motor**

Type	AC - SERIES
------	-------------

**Timer**

Type	914/1420
The timer program chart includes 3 basic programmes	
	normal washing
	delicate washing
	wool

**Thermostat**

A - a fixed thermostat	37± 3	°C
B - an adjustable thermostat	10 - 90	°C

**Pressostat**

Quantity of water at switching point without laundry		
Low level	11 ± 1	l
High level	24 ± 1	l

**Push button switch unit**

Version with 3 buttons having switches for:	
	ON/OFF
	Half load
	800/400 rpm

## Technical data

### Control unit

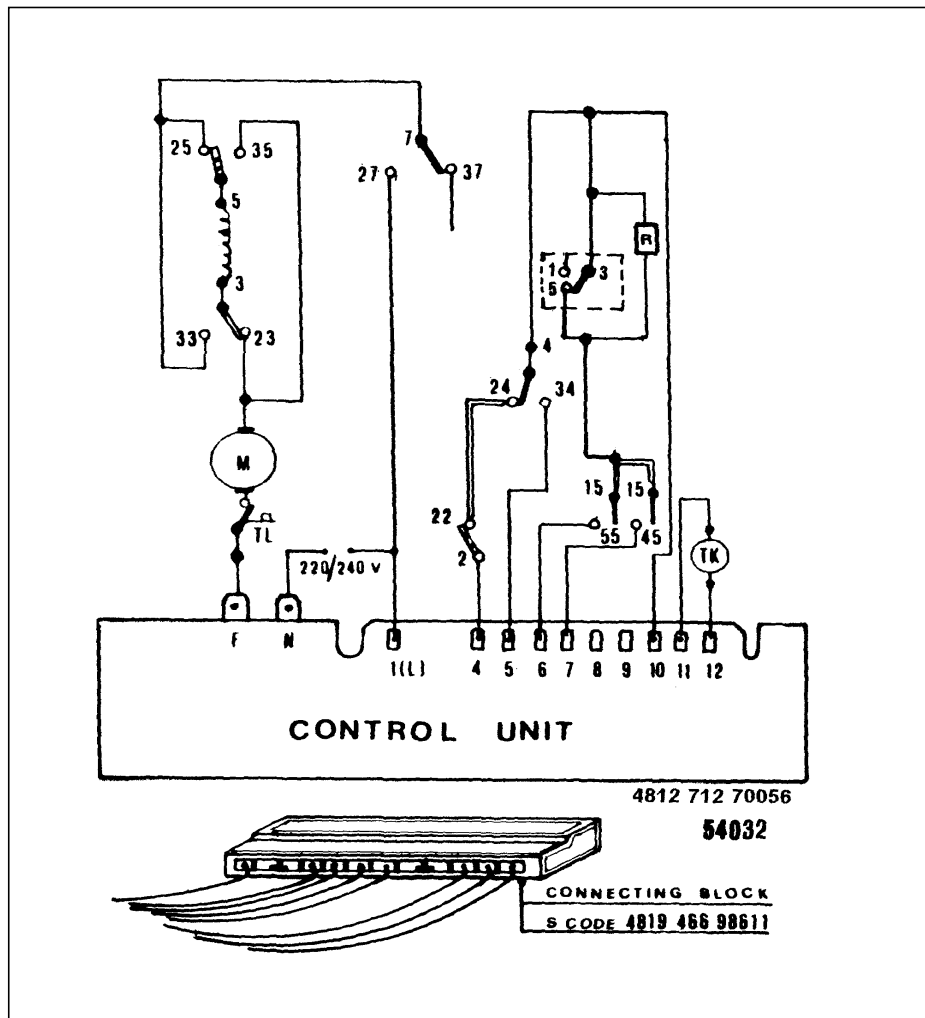
Type

A1 D23 (4819 214 78444)

Connection of the control unit

W - Main wash  
D - Pre-spinning  
S - Spinning

contacts 7-37 of the timer  
contacts 7-27 of the timer  
contacts 3-23 and 5-25 of the timer

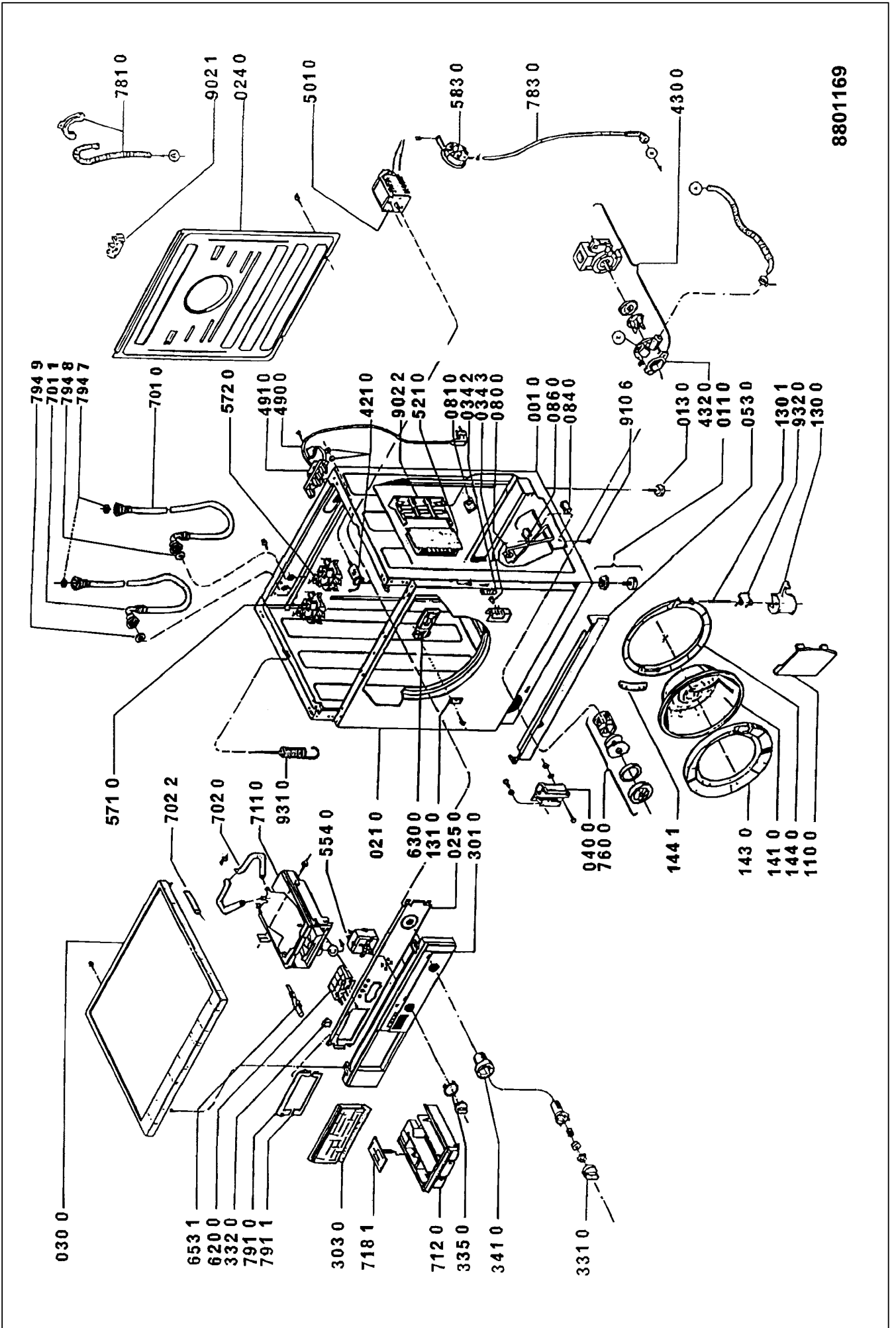


## Spare part list

**Model** AWG 726  
**Service No.** 853772653000  
**Version** 853772653000

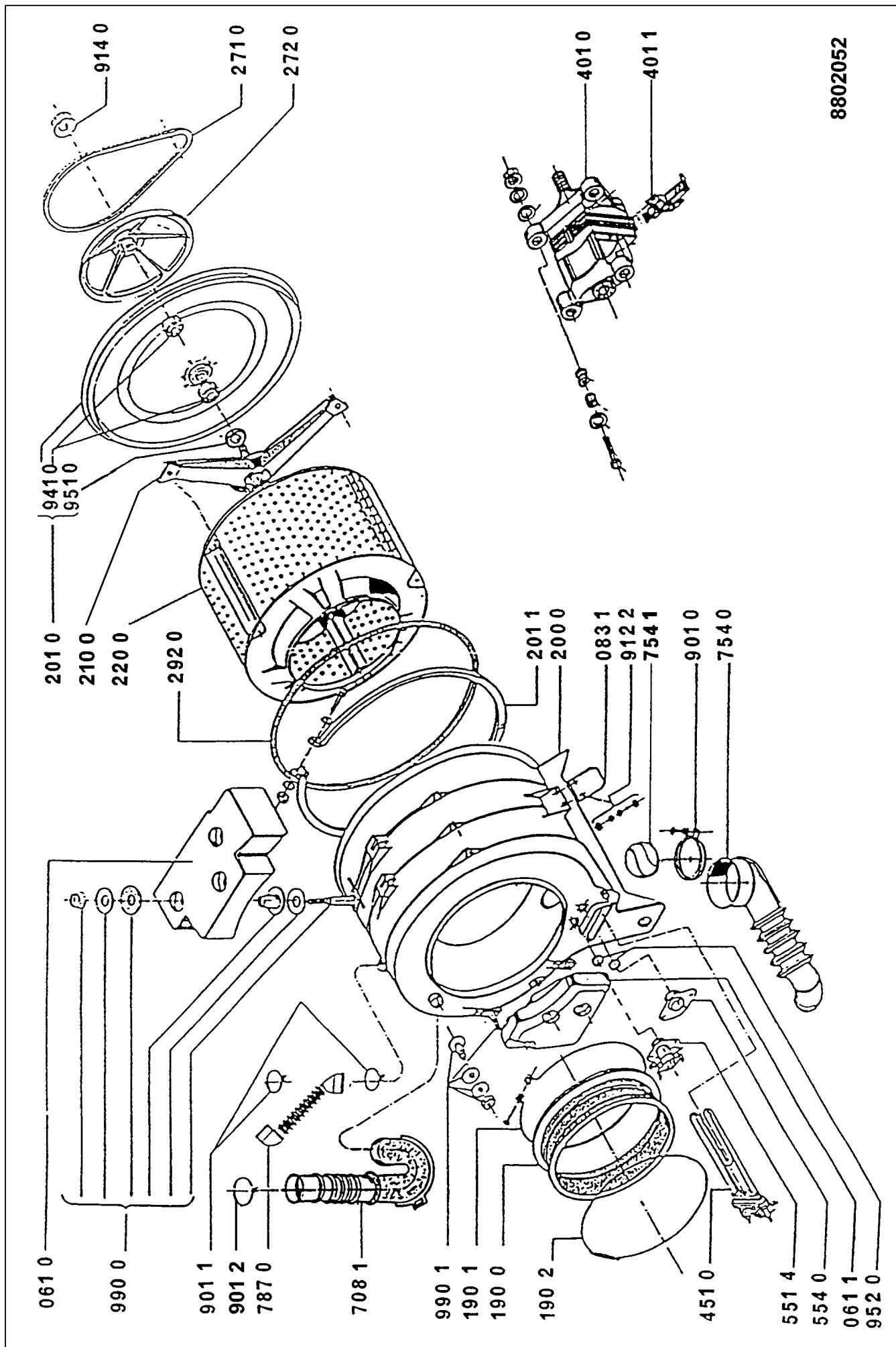
Pos. No.	12NC Code	Description	Pos. No.	12NC Code	Description
001 0	<b>4819 440 19578</b>	Cabinet	490 0	<b>4819 321 18161</b>	Cable,mains
011 0	<b>4819 462 48157</b>	Foot adjustable	491 0	<b>4819 290 68166</b>	Connect.block
013 0	<b>4819 310 38995</b>	Foot	501 0	<b>4819 282 18555</b>	Timer
021 0	<b>4819 453 19373</b>	Front	521 0	<b>4819 214 78444</b>	Unit,electrical A1 D23
024 0	<b>4819 440 19611</b>	Panel, rear	551 4	<b>4819 271 28776</b>	Thermostat 40 c 40 C
025 0	<b>4819 404 78667</b>	Holder	554 0	<b>4819 282 38035</b>	Thermostat adjustable
030 0	<b>4819 440 19674</b>	Lid	571 0	<b>4819 281 28168</b>	Valve,magnet
034 2	<b>4819 492 68458</b>	Fastener	572 0	<b>4819 281 28203</b>	Valve,magnet
034 3	<b>4819 532 68243</b>	Bushing	583 0	<b>4819 271 28717</b>	Pressostat
040 0	<b>4819 417 19232</b>	Hinge	620 0	<b>4819 276 38222</b>	Unit,pushbutton
053 0	<b>4819 440 19566</b>	Plinth	630 0	<b>4819 690 18108</b>	Switch, door
061 0	<b>4819 466 89118</b>	Counter weight top	653 1	<b>4819 134 28035</b>	Pilot lamp
061 1	<b>4819 466 89078</b>	Counter weight bottom	701 0	<b>4819 530 28768</b>	Hose, inlet warm
080 0	<b>4819 492 68215</b>	Spring	701 1	<b>4819 530 28848</b>	Hose, inlet
081 0	<b>4812 463 48002</b>	Friction plate	702 0	<b>4819 530 28793</b>	Hose inside
081 0	<b>4819 466 48115</b>	Friction plate	702 2	<b>4819 530 28766</b>	Hose, inlet inside ww
083 1	<b>4819 466 88986</b>	Plate tub	708 1	<b>4819 530 28868</b>	Drainhose inner
084 0	<b>4819 462 48049</b>	Silent block	711 0	<b>4819 418 79104</b>	Container
086 0	<b>4819 401 18607</b>	Clamp bushing	712 0	<b>4819 418 78752</b>	Drawer dispenser
110 0	<b>4819 498 69247</b>	Handle	718 1	<b>4819 466 98727</b>	Cover
130 0	<b>4819 401 18538</b>	Hook	754 0	<b>4819 526 48255</b>	Drainhose inner Tub/Pump
130 1	<b>4819 535 38062</b>	Shaft Hooh	754 1	<b>4819 360 58533</b>	Flap
131 0	<b>4819 404 48484</b>	Lock plate	760 0	<b>4819 480 58106</b>	Cover,pump
141 0	<b>4819 450 69519</b>	Door glass	781 0	<b>4819 530 28847</b>	Hose,draining
143 0	<b>4819 532 28159</b>	Front,panel	783 0	<b>4819 530 28808</b>	Hose pressostat
144 0	<b>4819 532 28161</b>	Frame,door glas	787 0	<b>4819 530 28904</b>	Hose,deaeration
144 1	<b>4819 466 88781</b>	Plate porthole frame	791 0	<b>4819 466 69598</b>	Gasket top
190 0	<b>4819 466 69828</b>	Door bellow	791 1	<b>4819 466 69597</b>	Gasket bottom
190 1	<b>4819 492 38119</b>	Strap porthole seal	794 7	<b>4819 466 69704</b>	Gasket and filter
190 2	<b>4819 492 68515</b>	Strap porthole seal	794 8	<b>4819 310 38057</b>	Gasket
200 0	<b>4819 418 18294</b>	Tub	794 9	<b>4819 532 58166</b>	Gasket and Seal
201 0	<b>4819 418 78808</b>	Bottom tub	901 0	<b>4819 401 18529</b>	Clamp,hose
201 1	<b>4819 532 28209</b>	Strap Tub	901 1	<b>4819 492 68061</b>	Clamp,hose
210 0	<b>4819 535 78138</b>	Crosspiece	901 2	<b>4819 401 18174</b>	Clamp,hose
220 0	<b>4819 418 18291</b>	Drum	902 1	<b>4819 401 18384</b>	Holder,hose outside
271 0	<b>4819 358 18137</b>	Belt	902 2	<b>4819 404 49832</b>	Holder control unit
272 0	<b>4819 528 88075</b>	Pulley Drum	910 6	<b>4819 502 38005</b>	Screw
292 0	<b>4819 466 69797</b>	Gasket	912 1	<b>4819 310 39099</b>	Accessories CROSSPIECE
301 0	<b>4819 453 19604</b>	Control panel	912 2	<b>4819 310 38685</b>	Set screw
303 0	<b>4819 498 78083</b>	Handle, drawer	914 0	<b>4819 505 18298</b>	Nut
331 0	<b>4819 413 78658</b>	Knob,timer	931 0	<b>4819 492 38122</b>	Spring suspension
332 0	<b>4819 410 28462</b>	Button	932 0	<b>4819 492 48144</b>	Spring
335 0	<b>4819 412 58476</b>	Knob thermostat	941 0	<b>4819 310 38157</b>	Bearing, kit
341 0	<b>4819 412 58482</b>	Knob,timer	951 0	<b>4819 466 68679</b>	Ring
401 0	<b>4819 361 58118</b>	Motor with pulley	952 0	<b>4819 466 69882</b>	Gasket thermostat
401 1	<b>4819 310 88529</b>	Brush,carbon	990 0	<b>4819 310 39124</b>	Mounting kit
421 0	<b>4819 121 18245</b>	Interf.filter	990 1	<b>4819 310 38684</b>	Fastener counter weight bottom
430 0	<b>4819 360 18209</b>	Pump,draining			
432 0	<b>4819 360 78311</b>	Pump body			
451 0	<b>4819 259 28801</b>	Heating element			

**Exploded view**

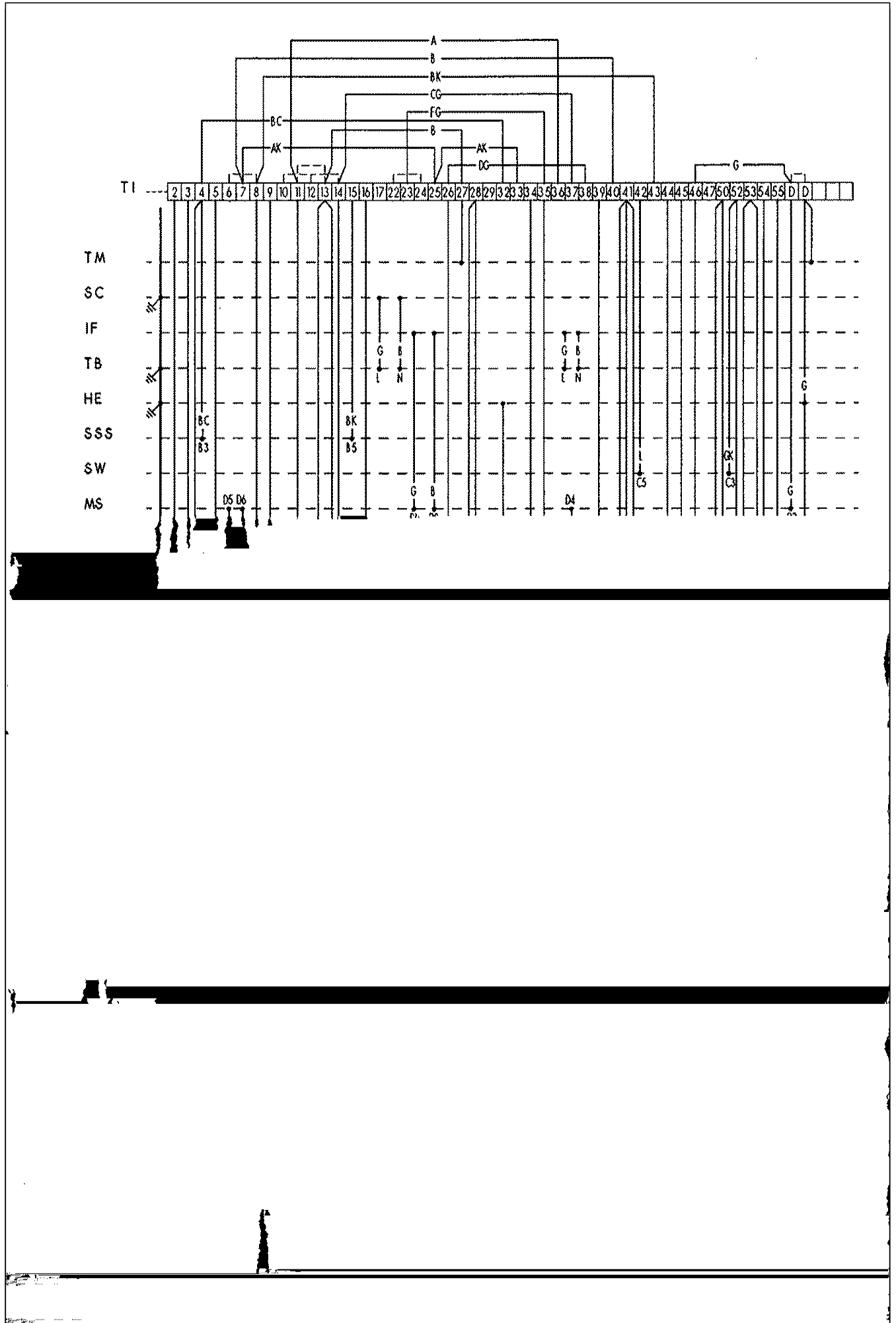


**8801169**

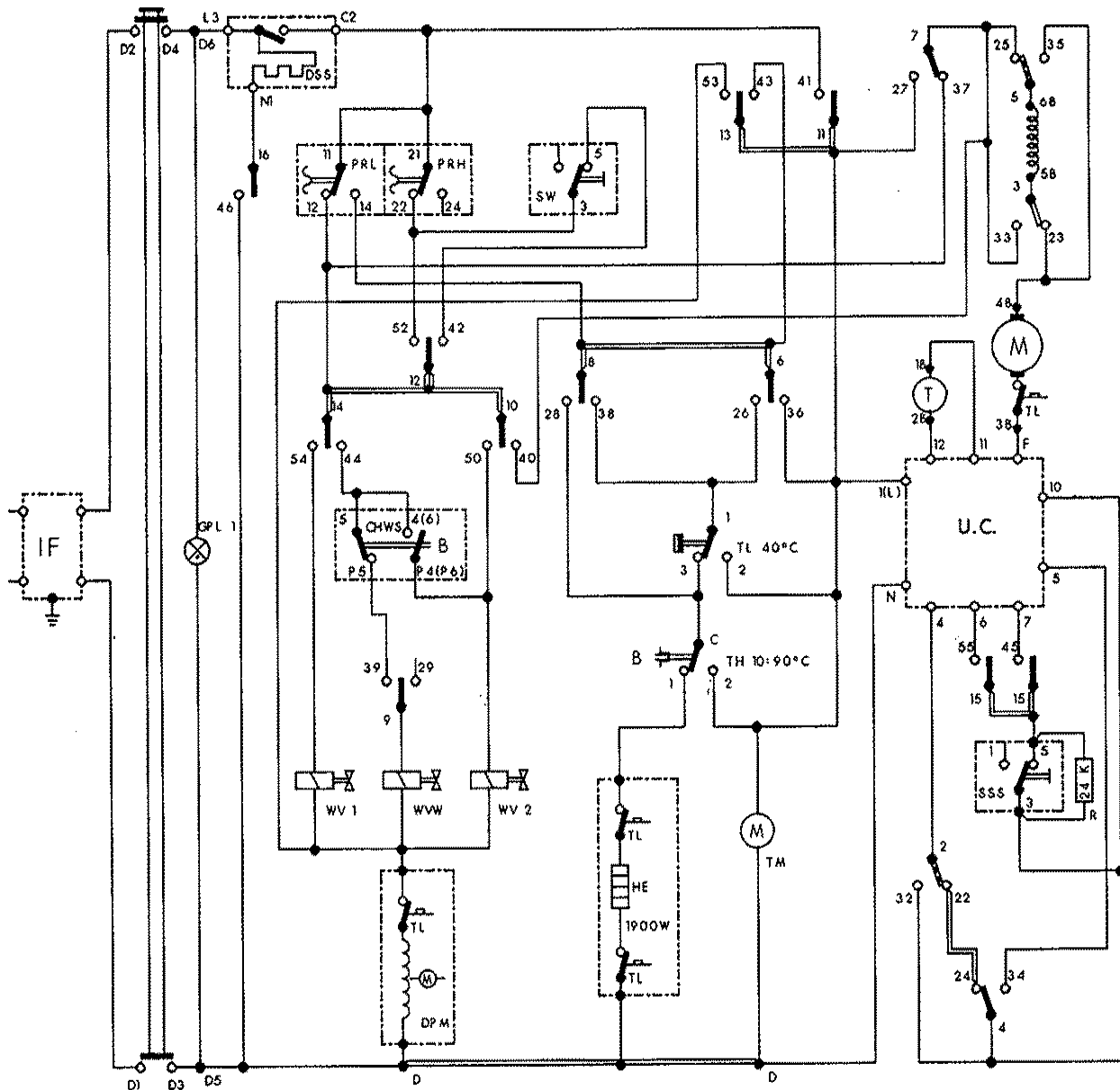
**Exploded view**



Wiring diagram



**Circuit diagram**



4812 712 70147 744 40011

- REVERSER CONTACTS OPERATED BY THE FAST CAMS
- TIMER CONTACTS OPERATED BY THE SLOW CAMS
- DOUBLE ACTION CONTACTS (OPERATED BY THE FAST CAMS DURING WASHING)
- CONNECTIONS INSIDE THE TIMER

**NOTICE**

- THE PUSH BUTTON SWITCHES ARE SHOWN IN NOT PUSHED-IN POSITION
- TIMER IN 60th POSITION (STOP)



